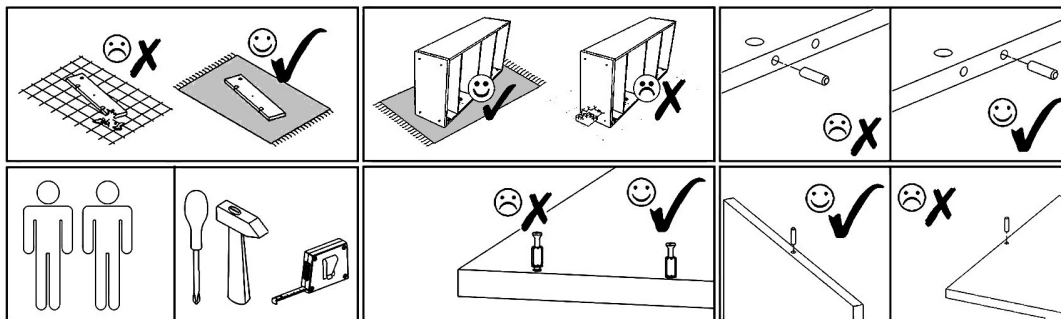
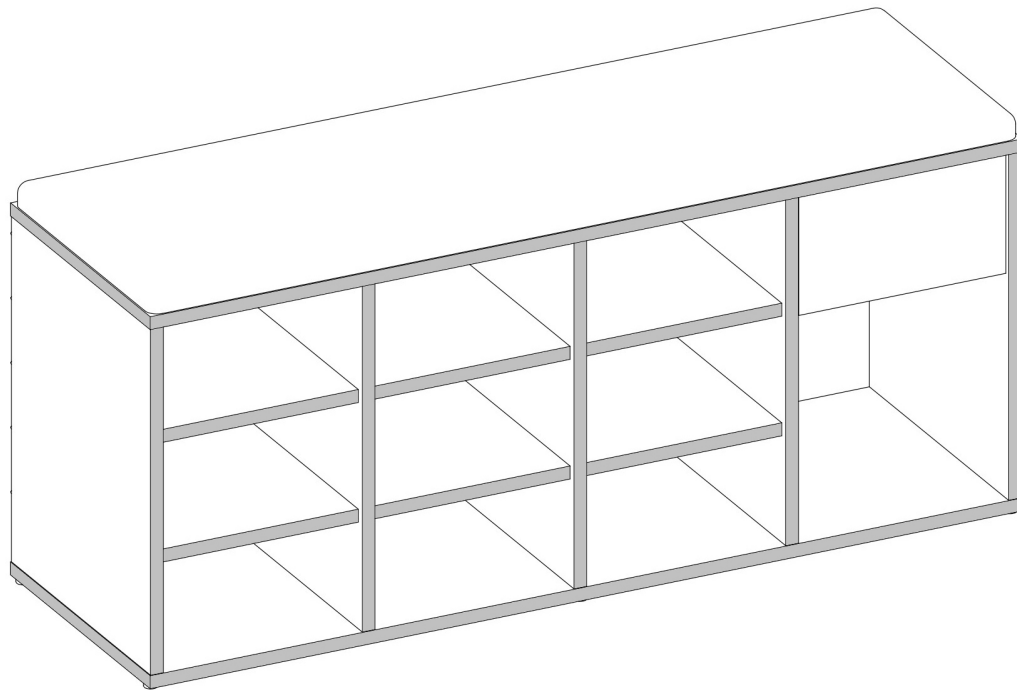





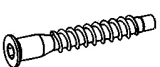
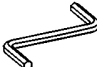




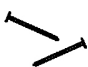


TALLIN

PRODUCTION DATE

PACKING CODE

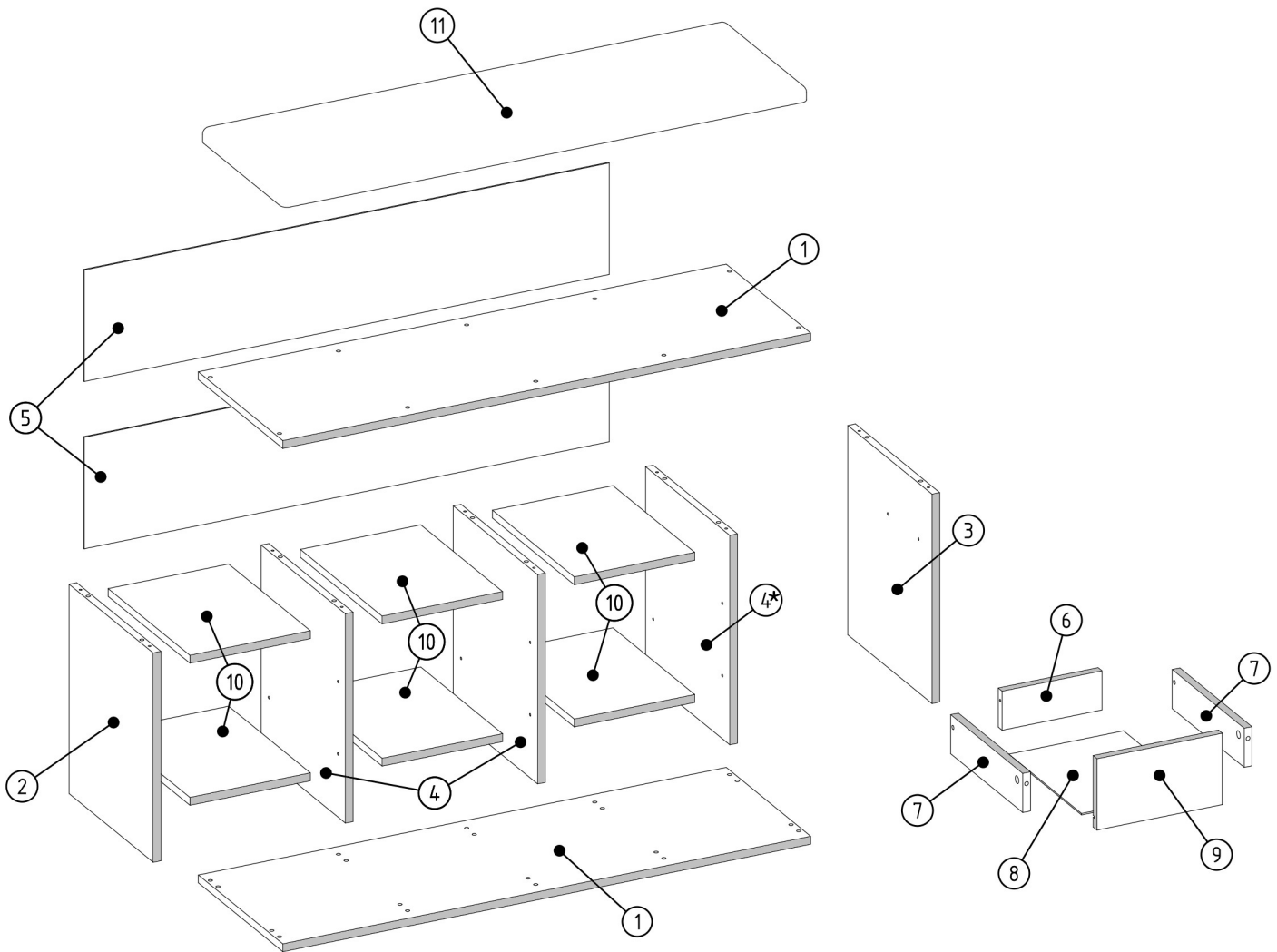


V16  5x16mm x24	B1  B ø17/4mm x2	M1  12x15mm x2	N1  L=35mm x2	E1  8x30mm x20	F1  7x50mm x22	F3  Hex 4mm x1	T1  x6	P2  L=300mm x1	R1  6x8mm x4	S1  3,5x16mm x4	Z1  x50
--	---	--	---	---	--	--	--	--	---	---	---

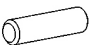

TALLIN

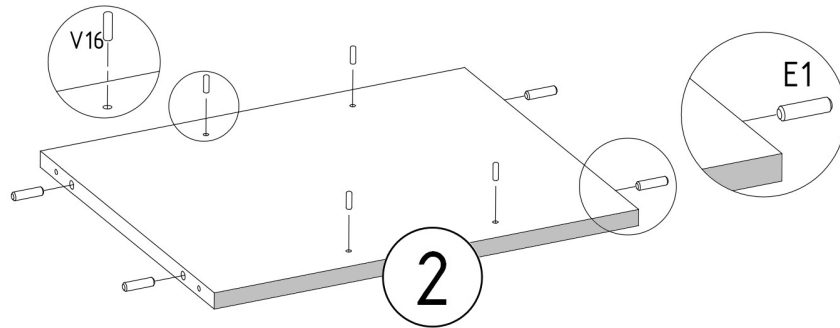
PRODUCTION DATE

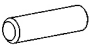


PACKING CODE

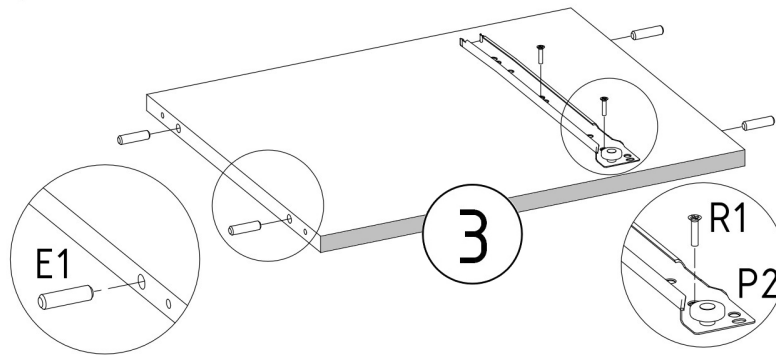


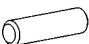
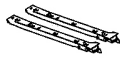


-	11	1
001614	10	6
001616	9	1
001611	8	1
000032	7	2
000367	6	1
001615	5	2
001613	4	3
001617	3	1
001618	2	1
001612	1	2
ID	NUMBER	QUANTITY

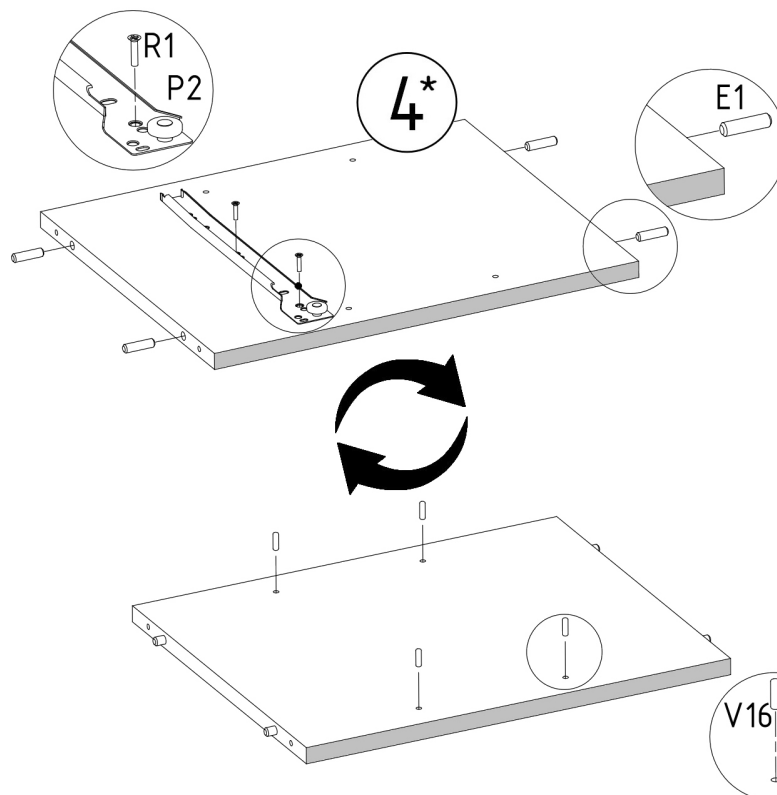
E1	V16
	
8x30mm	X4 5x16mm X4

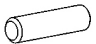



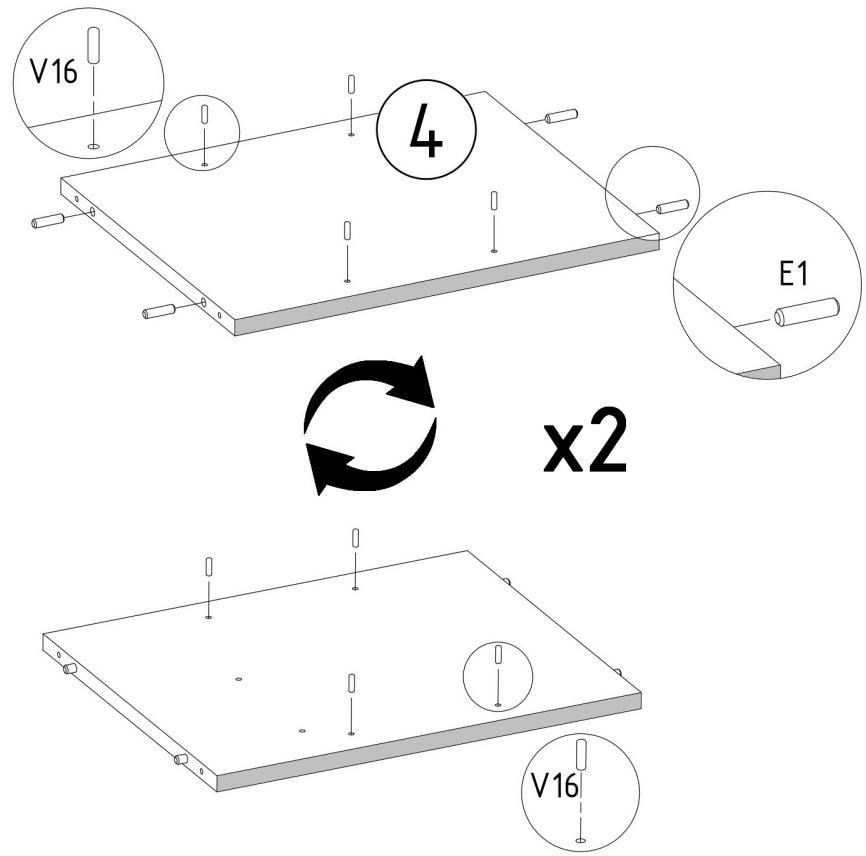
E1	P2	R1
		
8x30mm	X4 L=300mm	X1 6x8mm X2

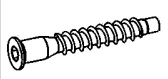
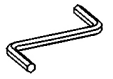


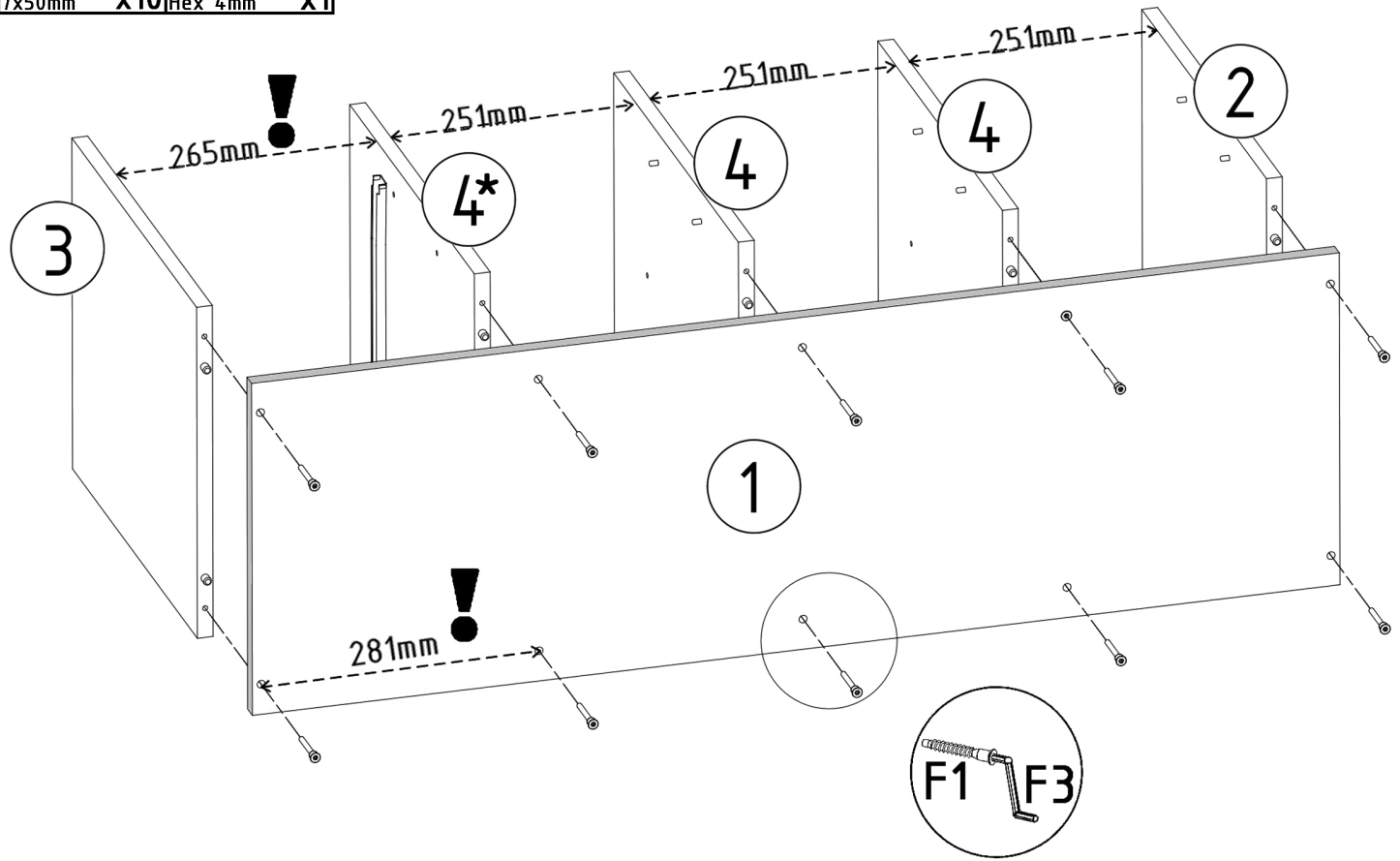
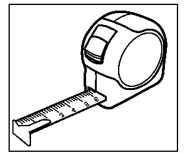
E1	P2	R1	V16
			
8x30mm	X4 L=300mm	X1 6x8mm	X2 5x16mm X4

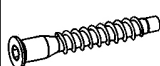
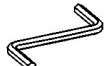



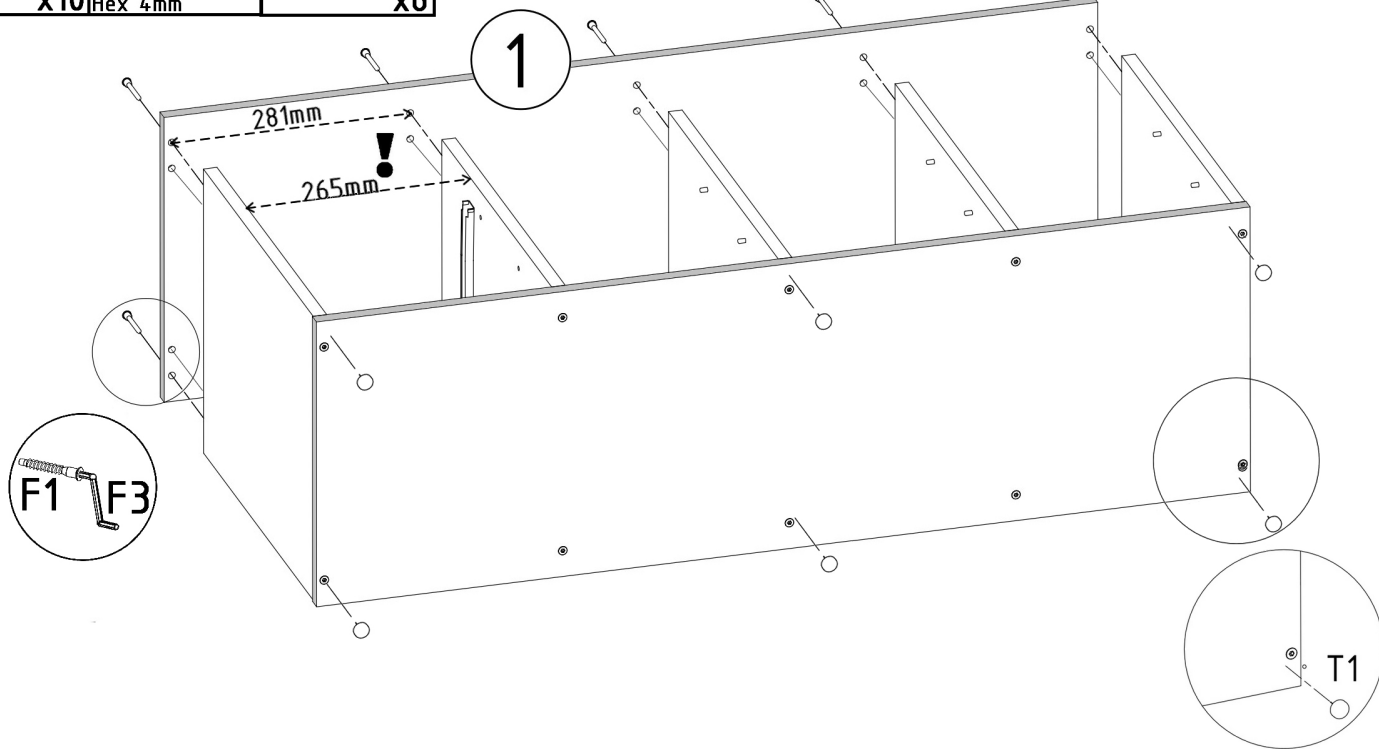
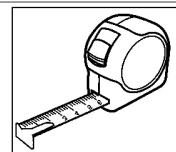
E1  8x30mm	V16  5x16mm
x8	x16



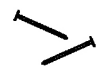
F1  7x50mm	F3  Hex 4mm
x10	x1



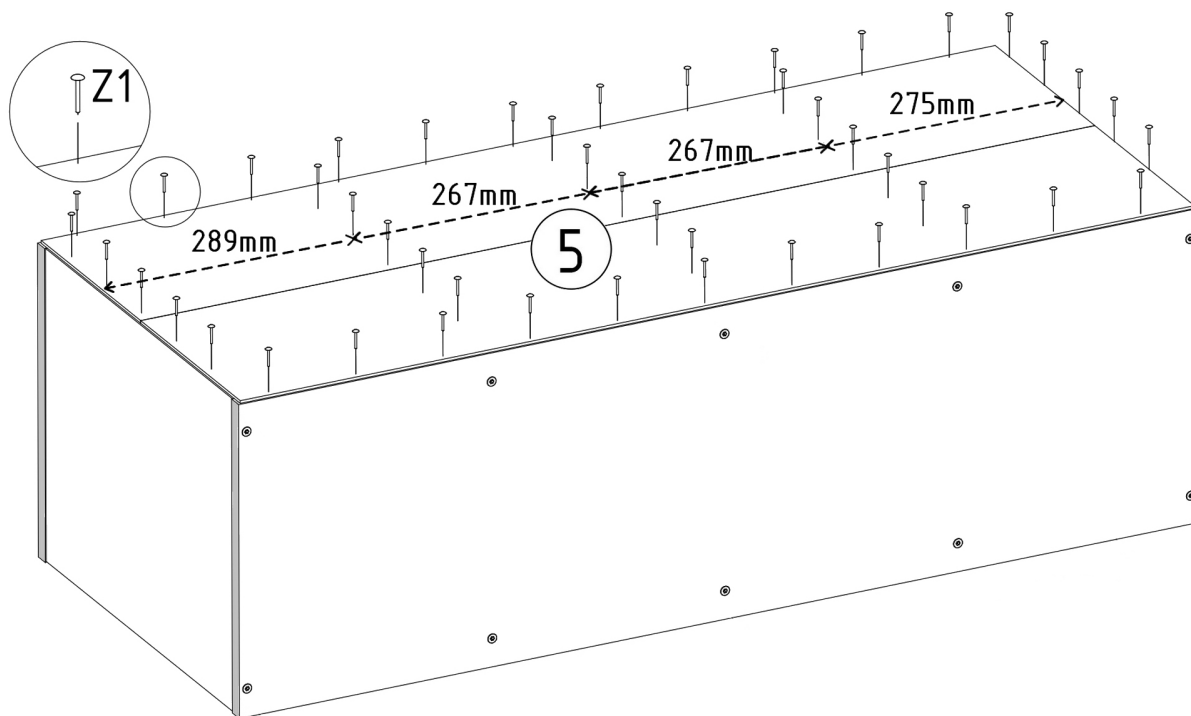
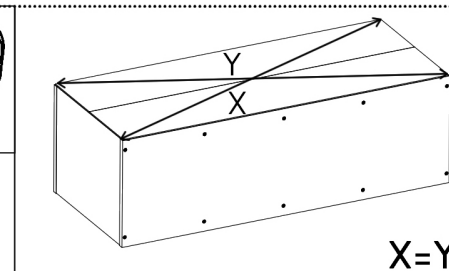
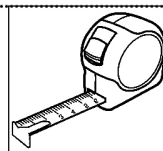
<p>F1</p>  <p>7x50mm x10</p>	<p>F3</p>  <p>Hex 4mm</p>	<p>T1</p>  <p>x6</p>
---	--	--

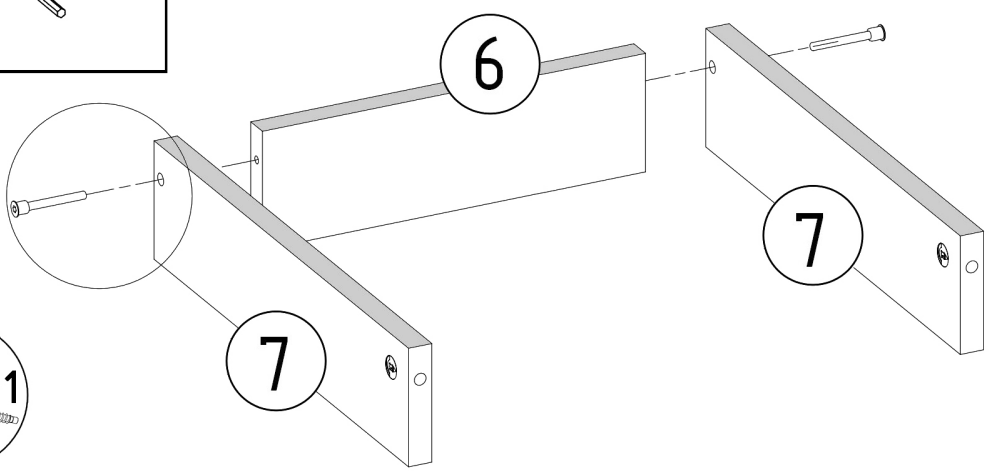
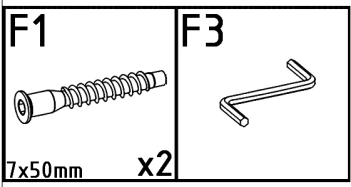
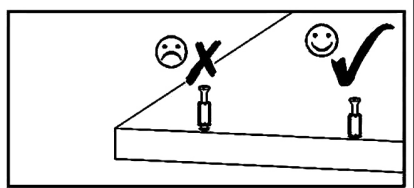
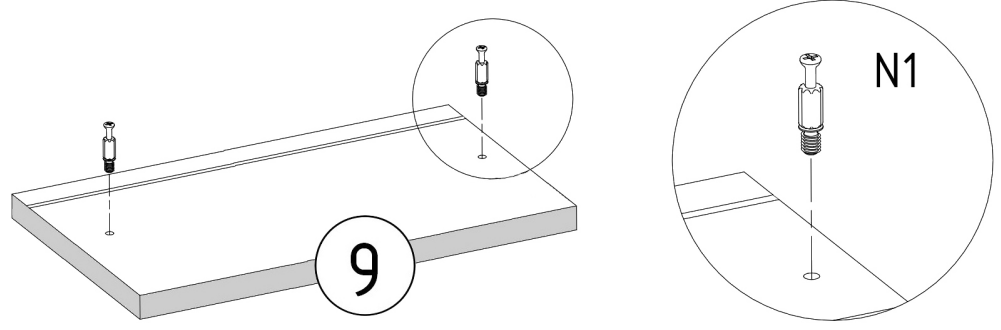
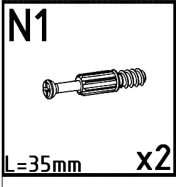
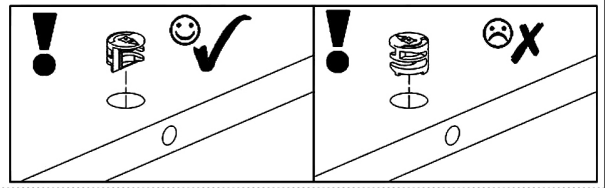
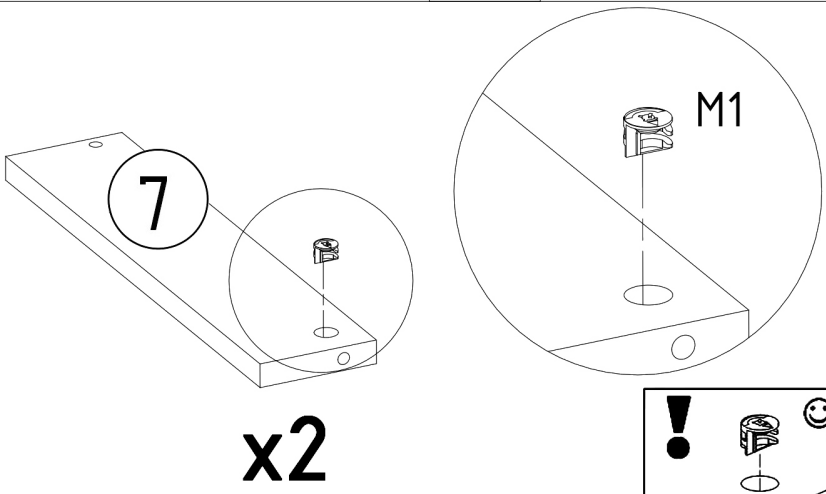
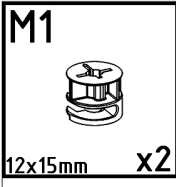


Z1

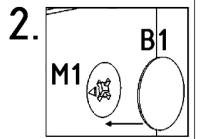
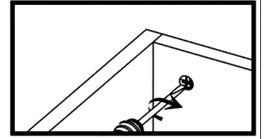
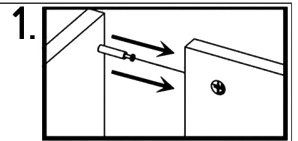
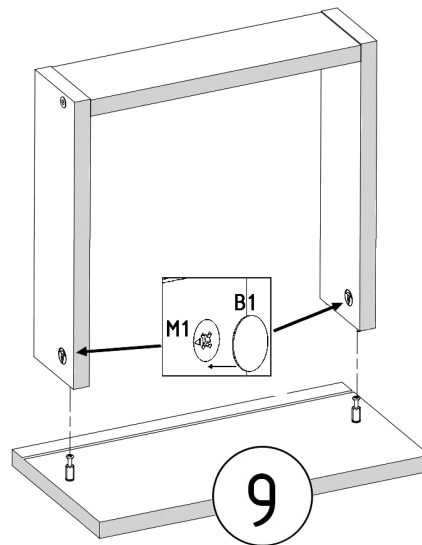


x45

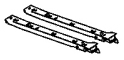




B1


 $\varnothing 17,4\text{mm}$ x2


P2


 $L=300\text{mm}$ x1

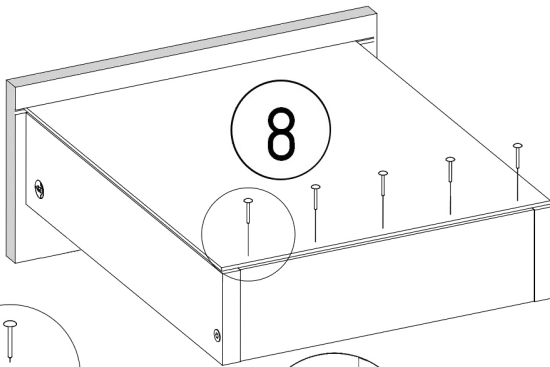
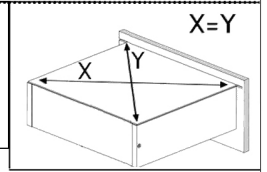
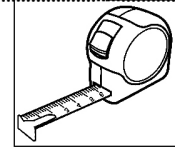
S1


 $3,5 \times 16\text{mm}$ x4

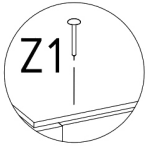
Z1



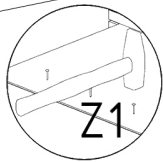
x5



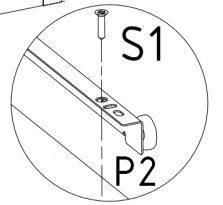
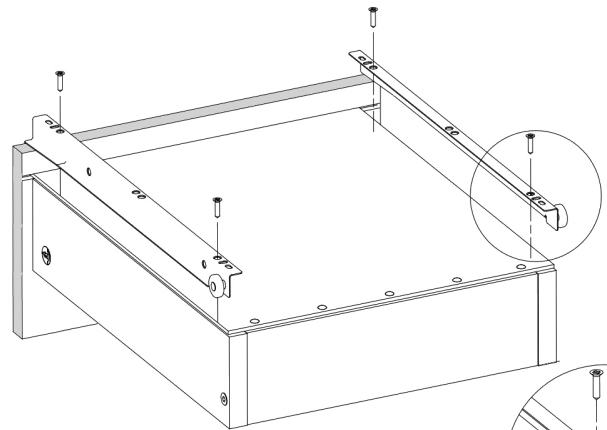
8



Z1

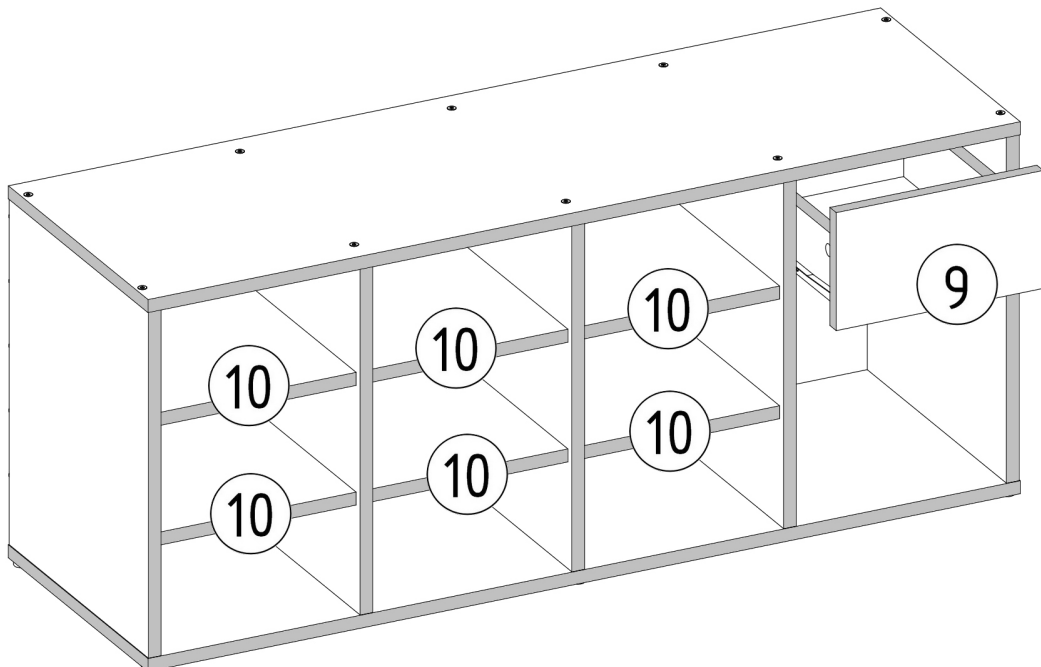


Z1



S1

P2



10

10

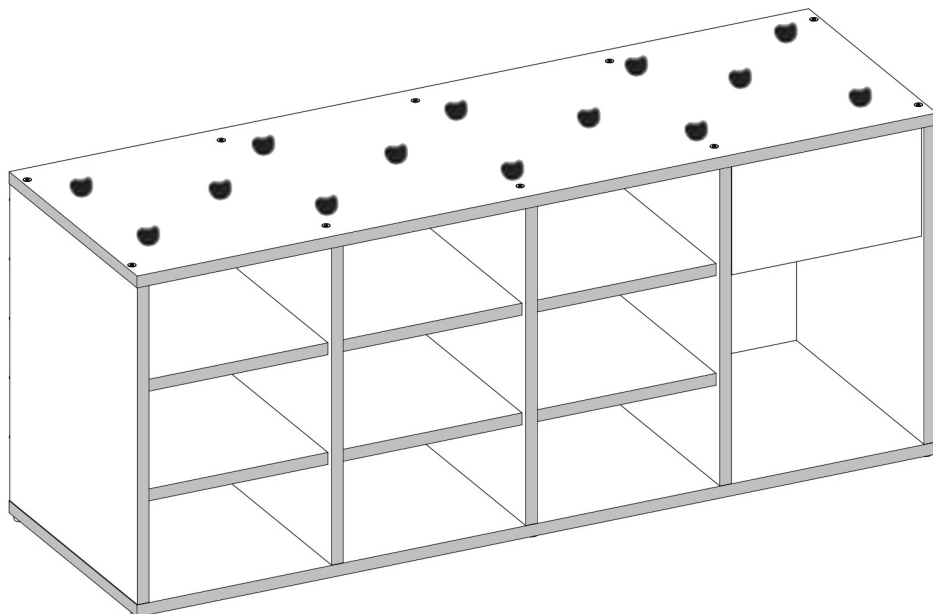
10

9

10

10

10



11

