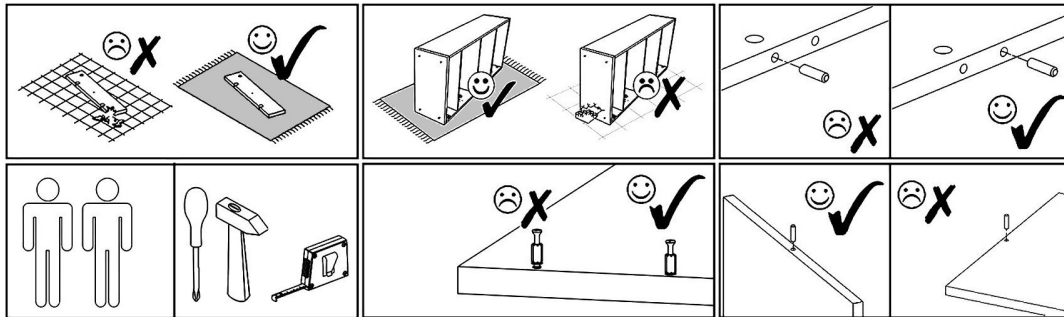
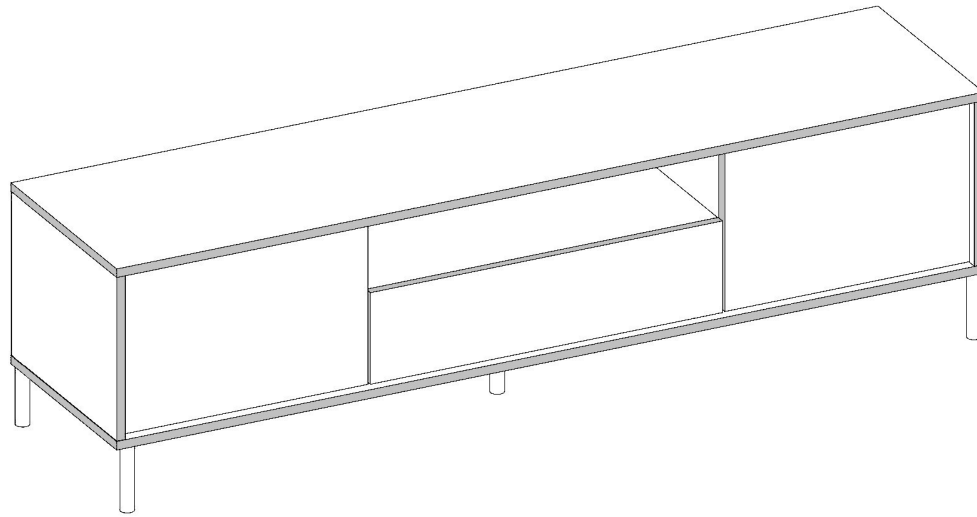


# KAMARO RTV 160

PRODUCTION DATE

PACKING CODE

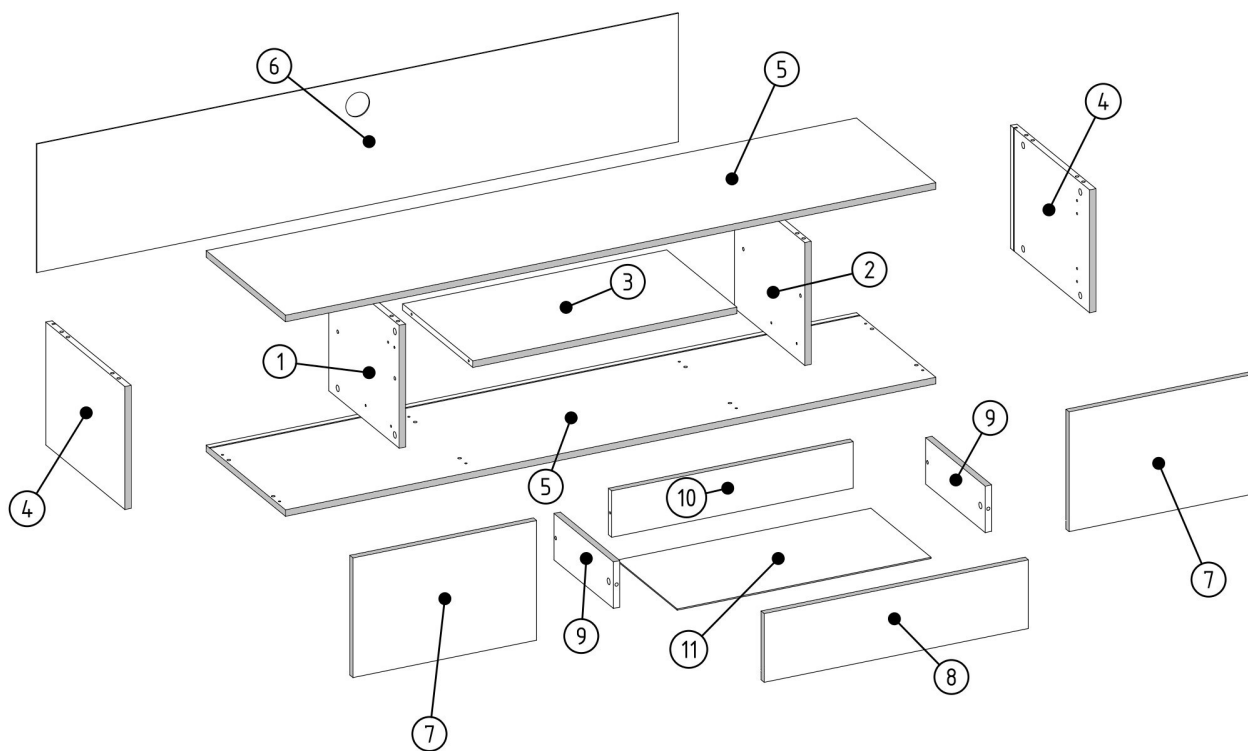


<b>B1</b>  S/A ø17/4mm x16	<b>B1</b>  B ø17/4mm x2	<b>B2</b>  K ø12/4mm x4	<b>B2</b>  G ø12/4mm x4	<b>B2</b>  S/A ø17/4mm x4	<b>T6</b>  H=135mm x5	<b>S9</b>  4x16mm x15	<b>S1</b>  3,5x16mm x12	<b>A2</b>  Z,W x4	<b>Z1</b>  x30	<b>V30</b>  x10	<b>B1</b>  K ø17/4mm x16	<b>B1</b>  G ø17/4mm x16
<b>E1</b>  8x30mm x16	<b>M1</b>  12x15mm x18	<b>V7</b>  x3	<b>R1</b>  6x8mm x10	<b>P2</b>  L=300mm x1	<b>F1</b>  7x50mm x6	<b>F3</b>  Hex 4mm x1	<b>N1</b>  L=35mm x18					

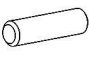

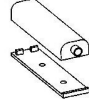


## KAMARO RTV 160

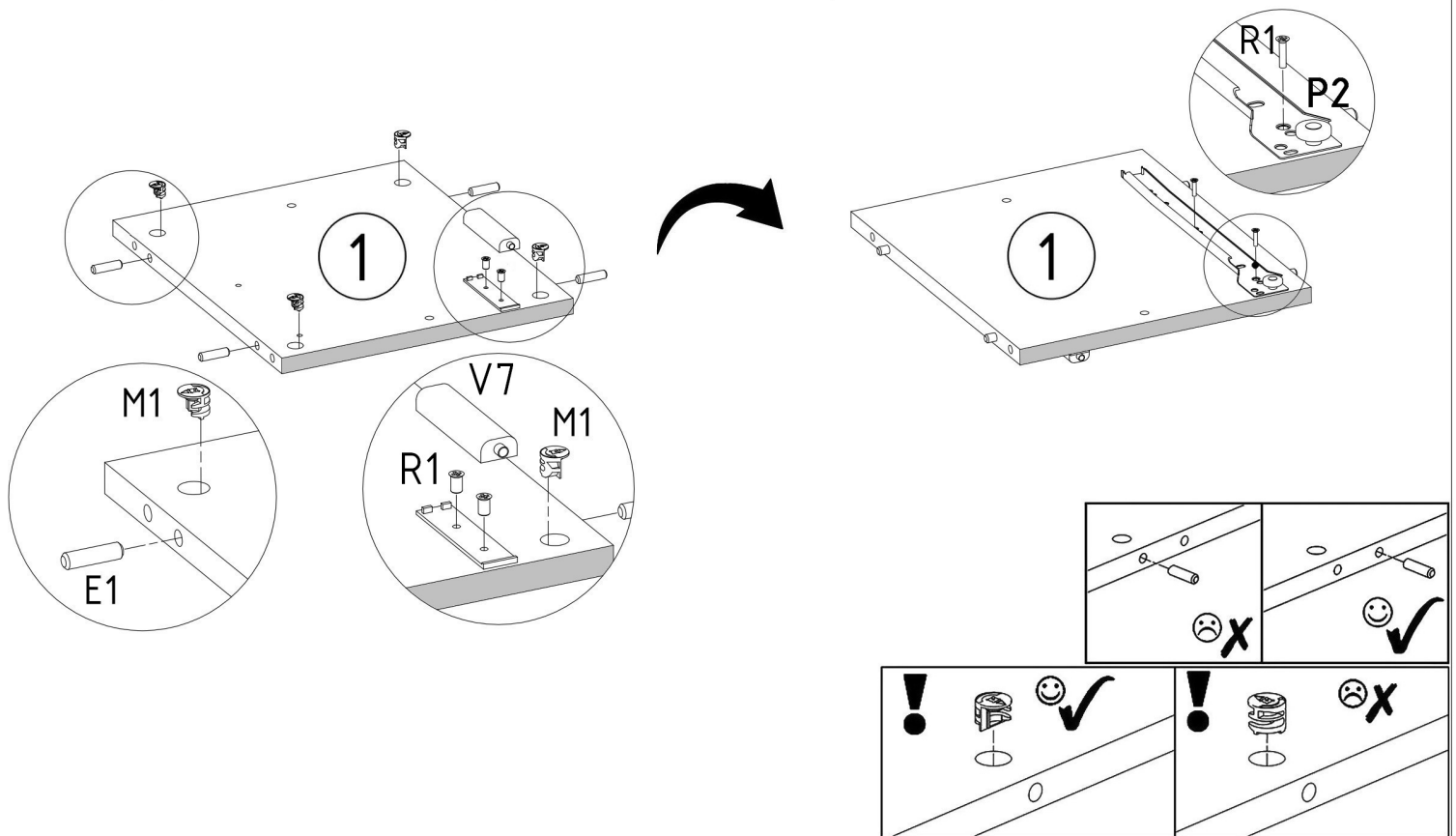
PRODUCTION DATE

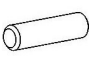

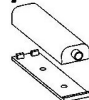


PACKING CODE

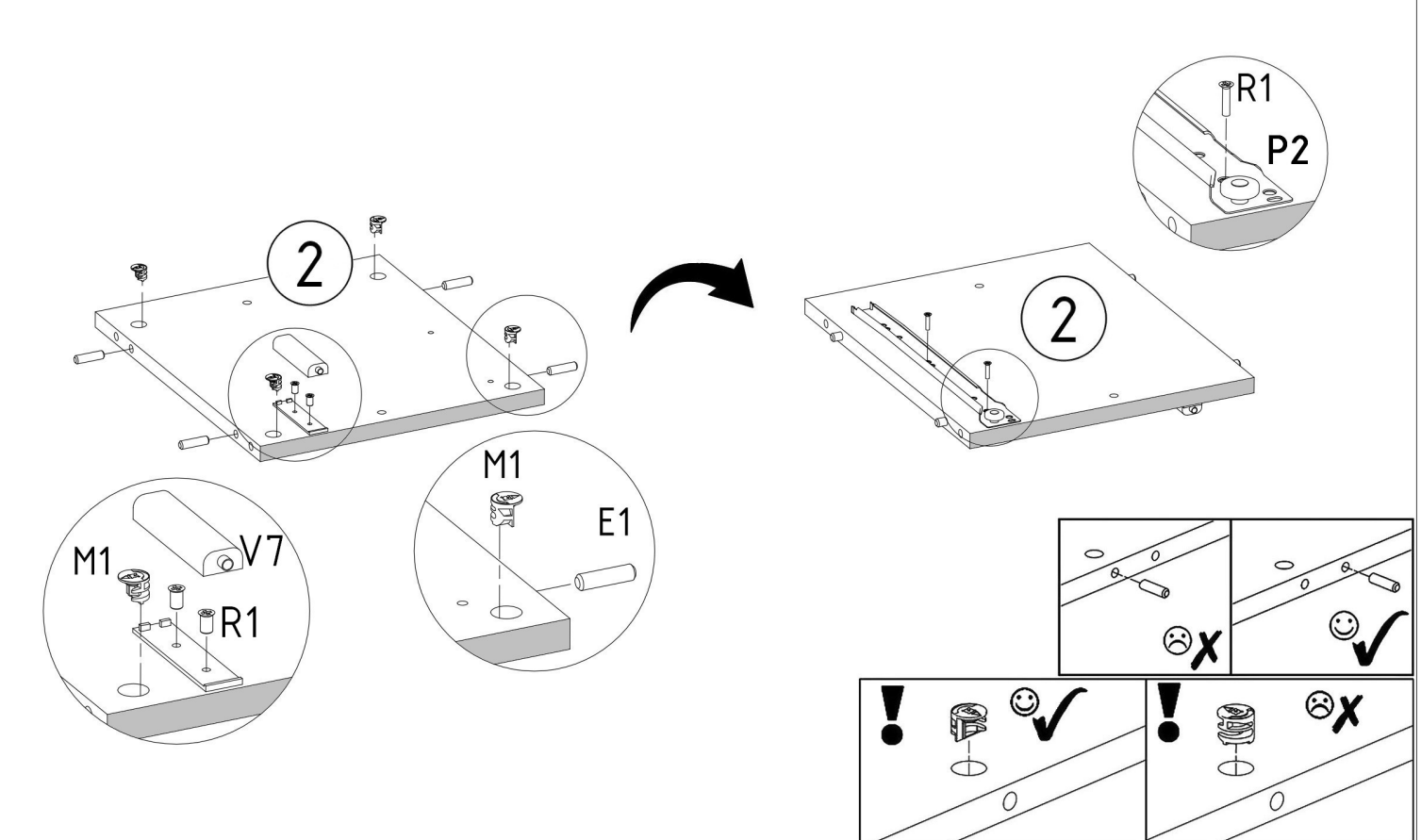


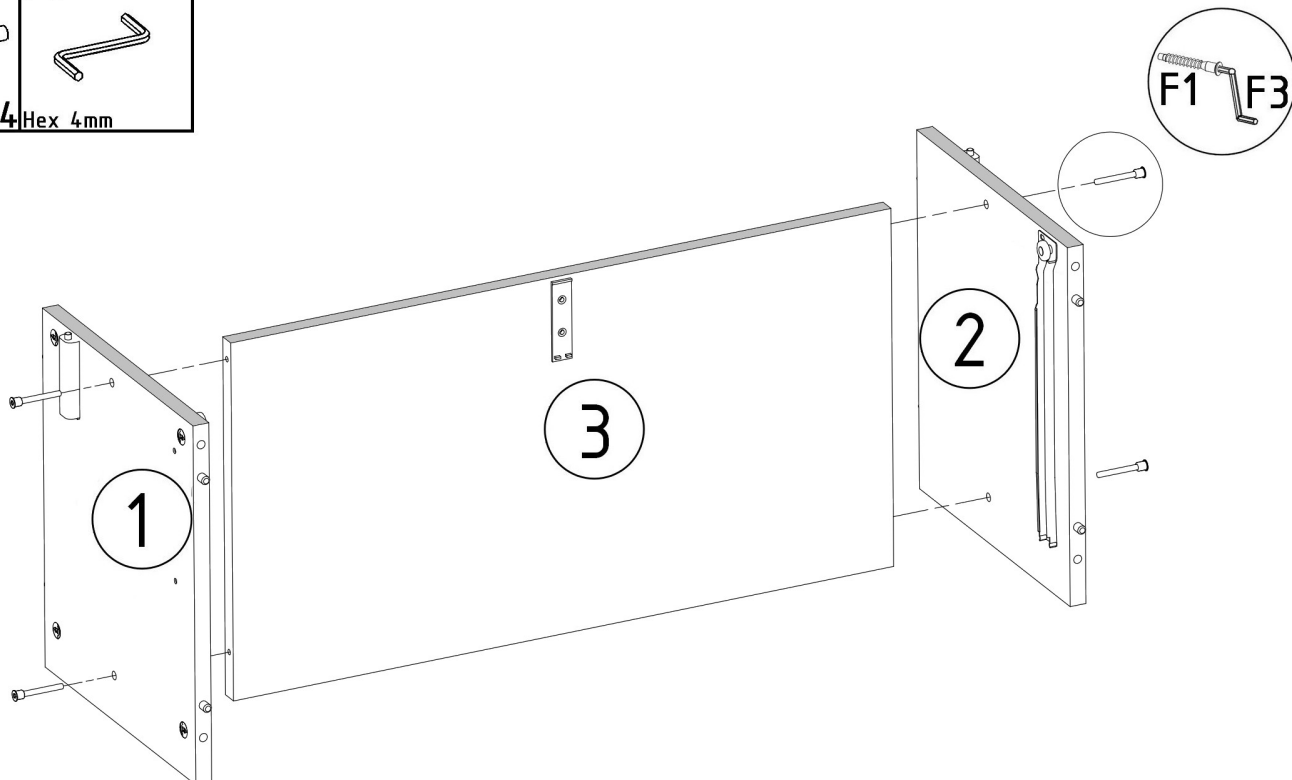
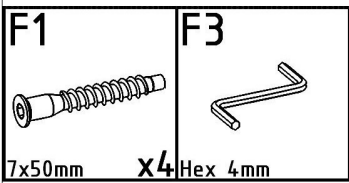
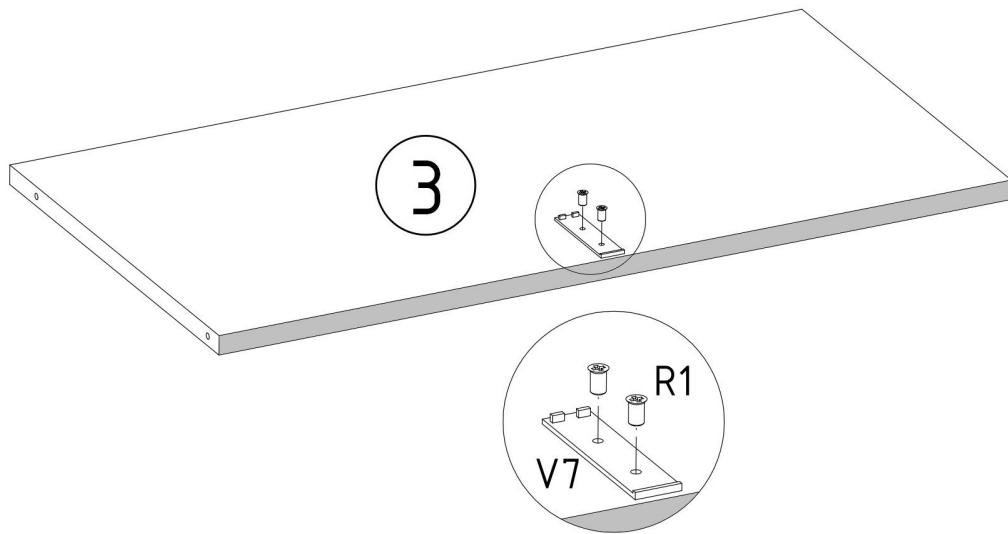
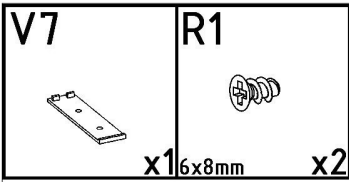
001361	11	1
000132	10	1
001362	9	2
001354	8	1
001358	7	2
001355	6	1
001353	5	2
001357	4	2
001356	3	1
001360	2	1
001359	1	1
ID	NUMBER	QUANTITY


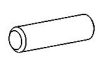
<b>E1</b>  8x30mm	<b>M1</b>  X4 12x15mm	<b>V7</b>  X4	<b>R1</b>  X1 6x8mm	<b>P2</b>  X4 L=300mm
---------------------------------------------------------------------------------------------------------	--------------------------------------------------------------------------------------------------------------	-----------------------------------------------------------------------------------------------------	------------------------------------------------------------------------------------------------------------	--------------------------------------------------------------------------------------------------------------

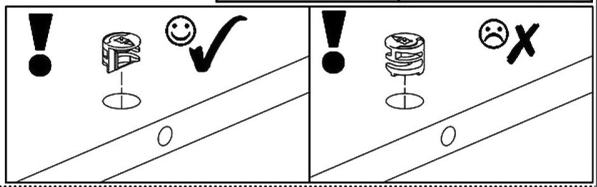
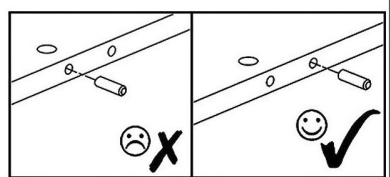
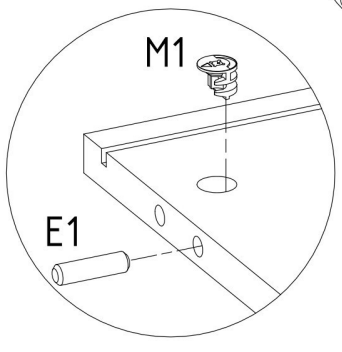
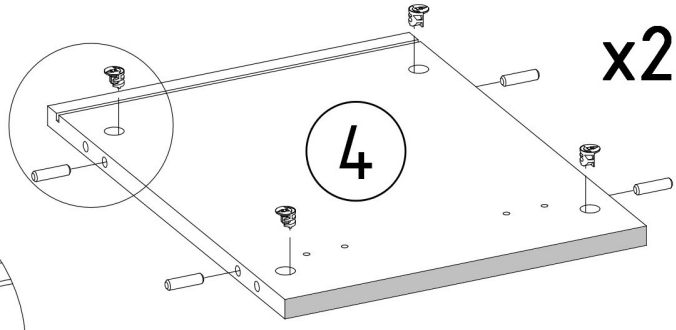



<b>E1</b>  8x30mm	<b>M1</b>  X4 12x15mm	<b>V7</b>  X4	<b>R1</b>  X1 6x8mm	<b>P2</b>  X4 L=300mm
-----------------------------------------------------------------------------------------------------------	----------------------------------------------------------------------------------------------------------------	--------------------------------------------------------------------------------------------------------	--------------------------------------------------------------------------------------------------------------	----------------------------------------------------------------------------------------------------------------

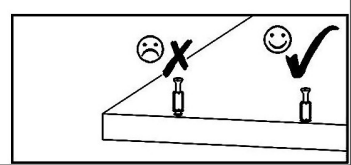
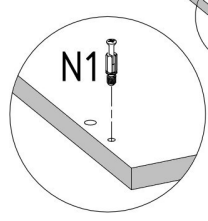
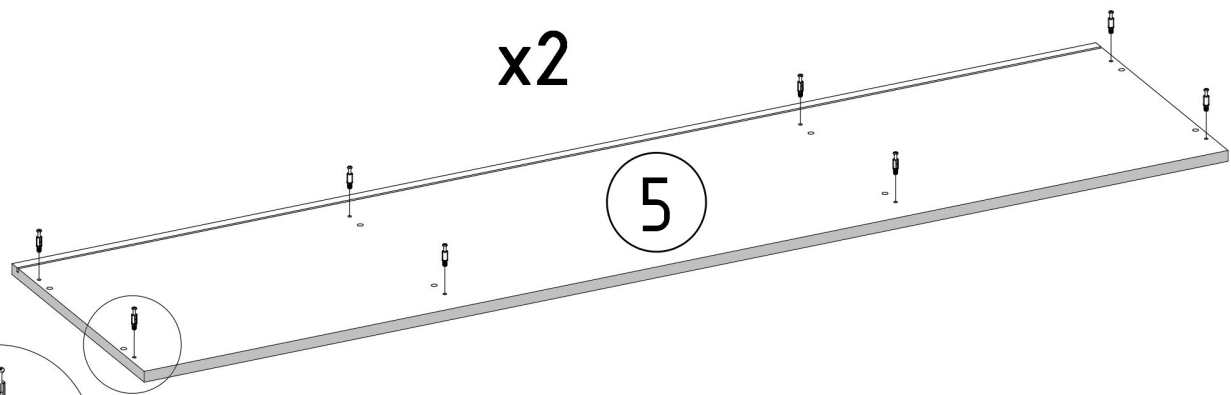


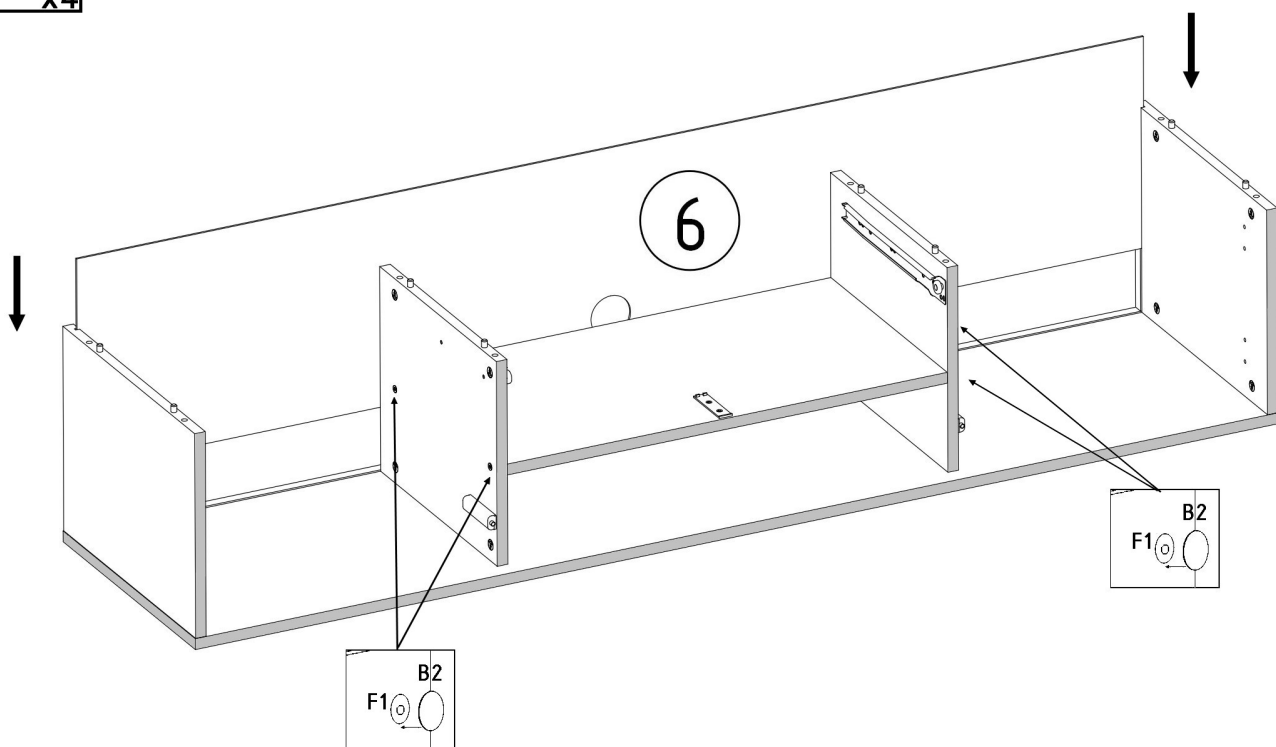
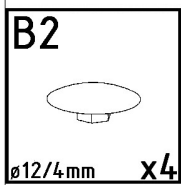
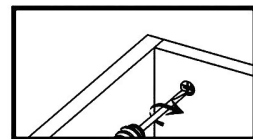
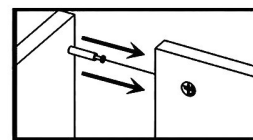
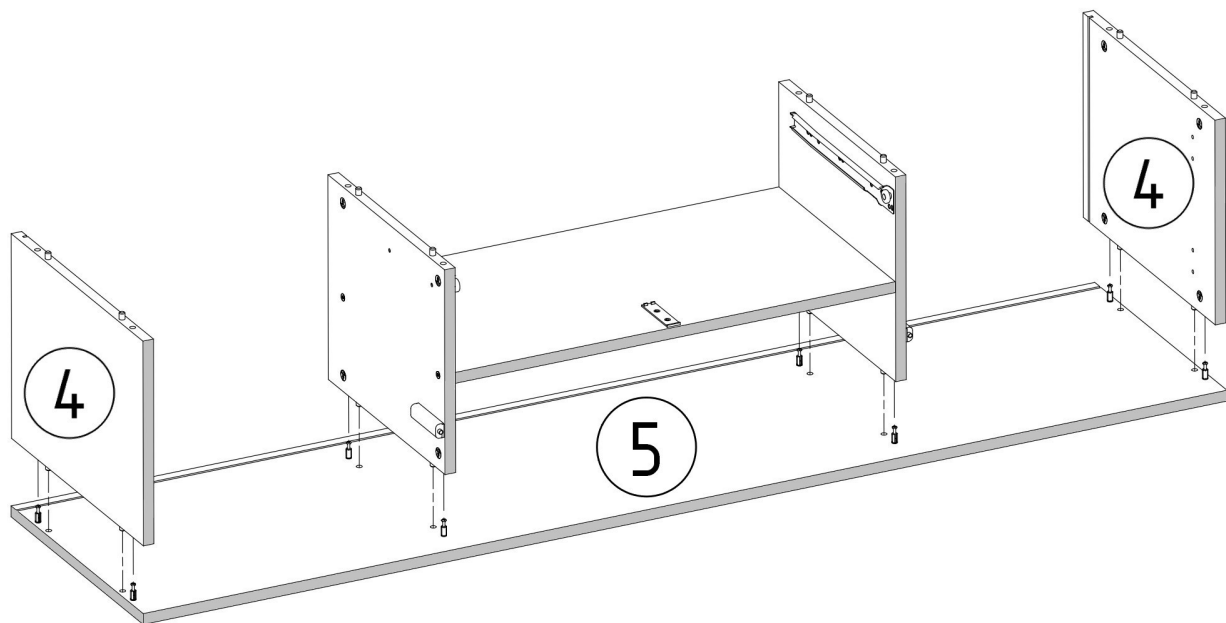


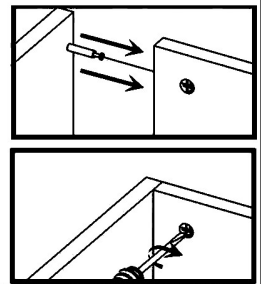
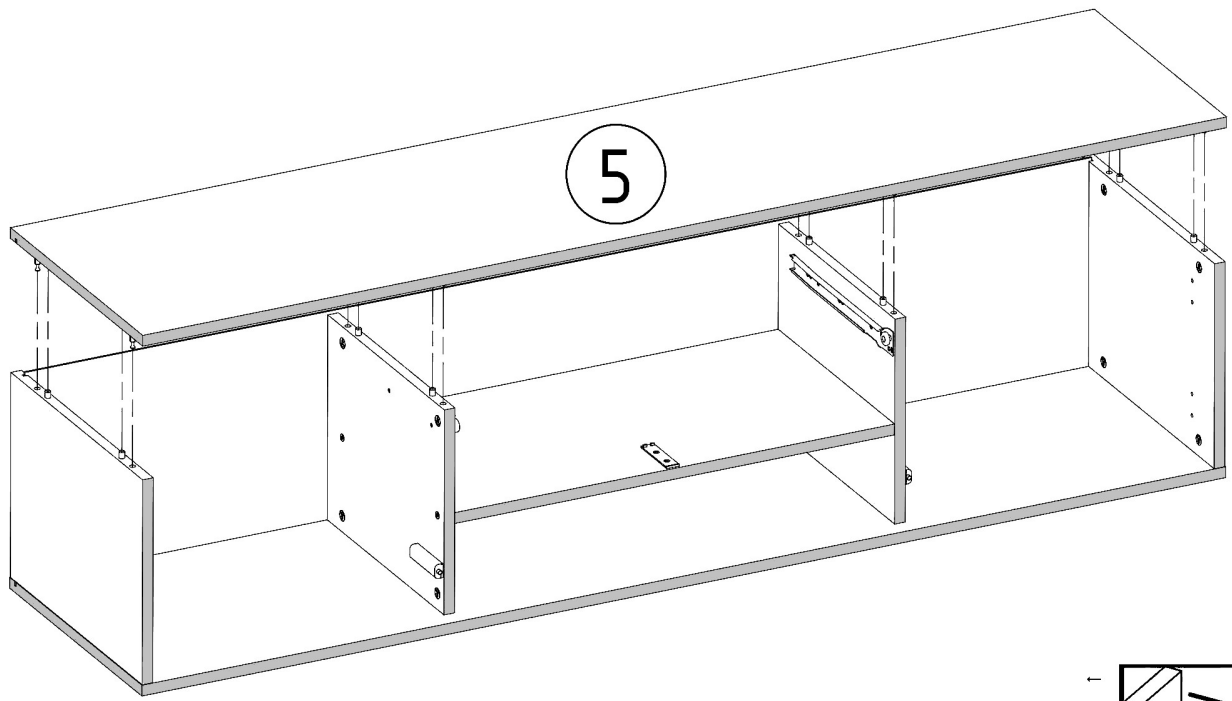
<b>M1</b>  12x15mm	<b>E1</b>  8x30mm
<b>x8</b>	<b>x8</b>

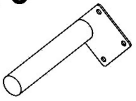




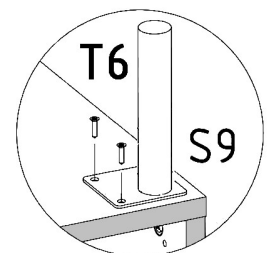
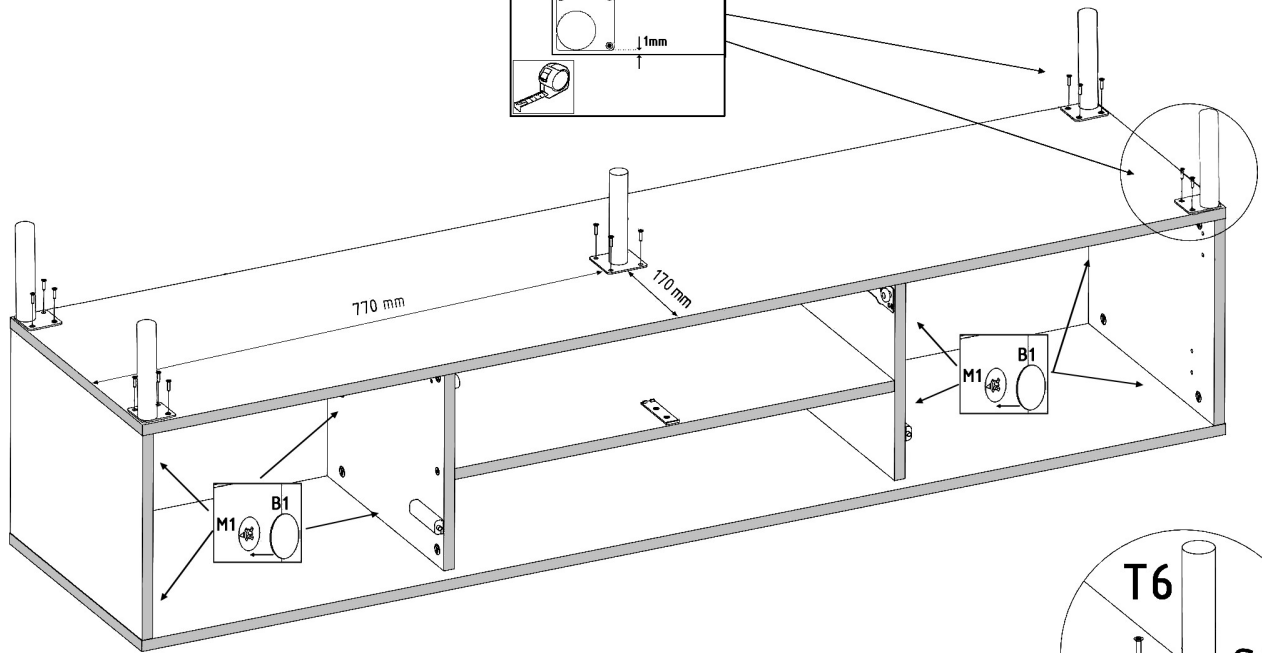
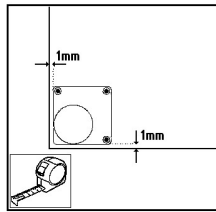
<b>N1</b>  L=35mm
<b>x16</b>

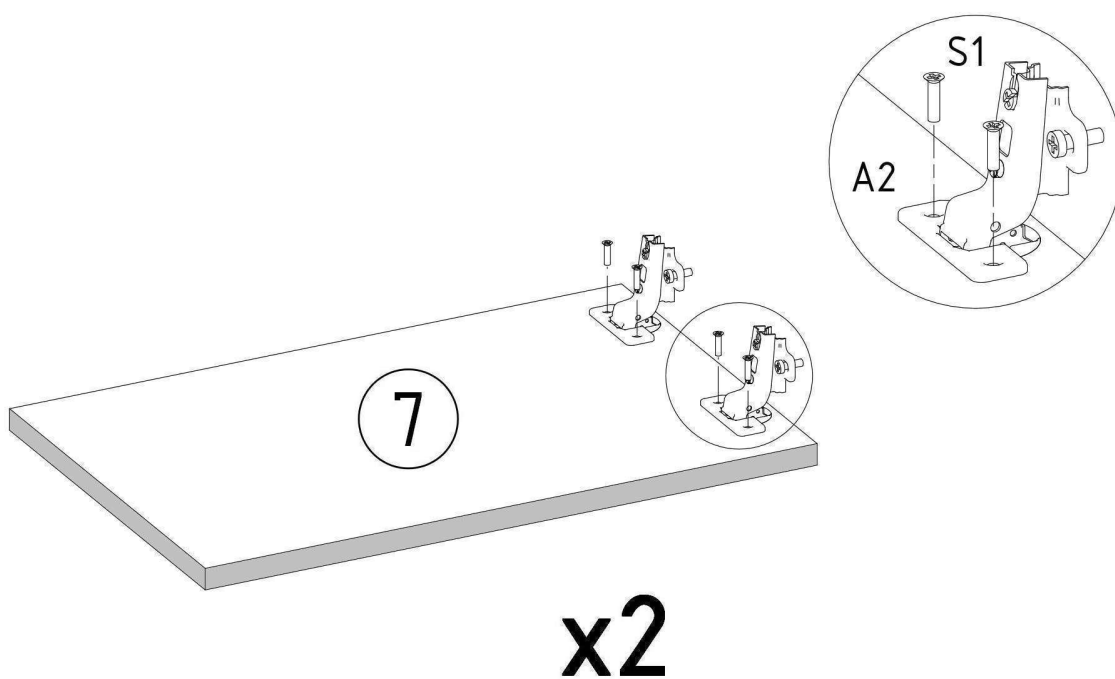
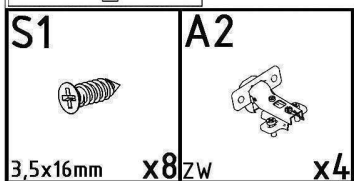
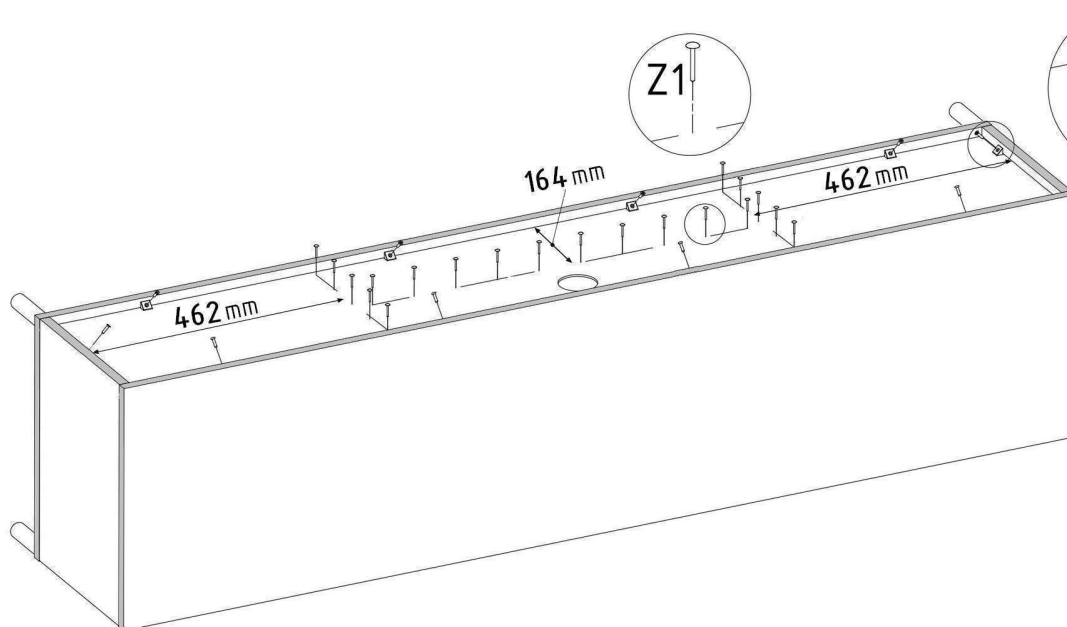
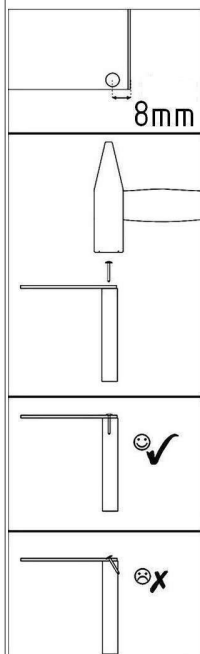
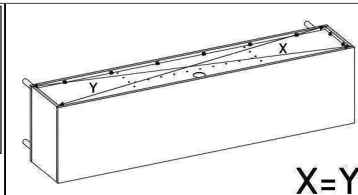
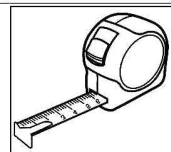
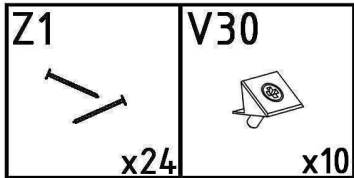






<p><b>T6</b></p>  <p>H=135mm x5</p>	<p><b>S9</b></p>  <p>4x16mm x15</p>	<p><b>B1</b></p>  <p>ø17/4mm x16</p>
-----------------------------------------------------------------------------------------------------------------------	------------------------------------------------------------------------------------------------------------------------	-------------------------------------------------------------------------------------------------------------------------

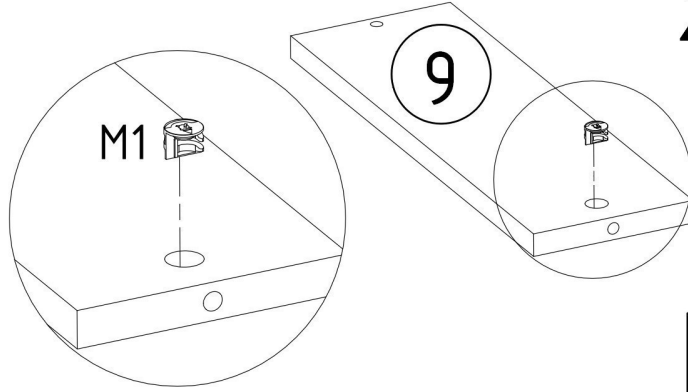




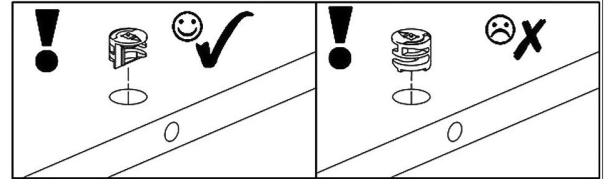
M1



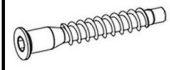
12x15mm x2



x2

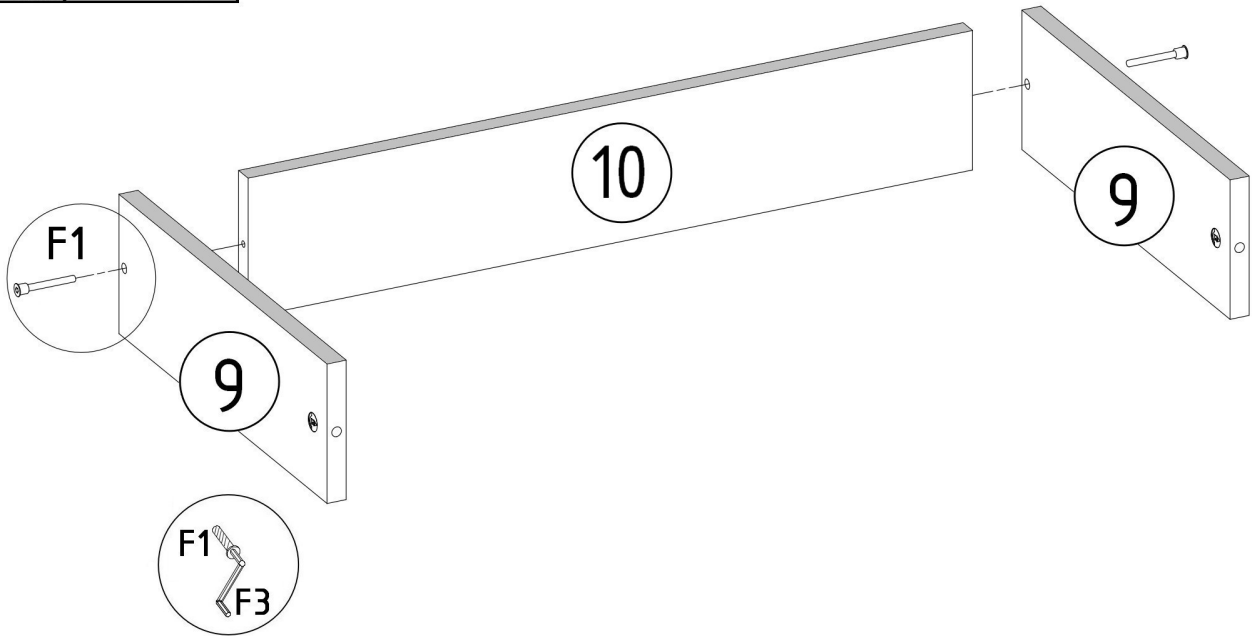
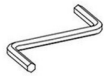


F1



7x50mm x2

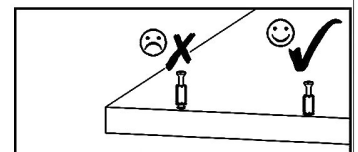
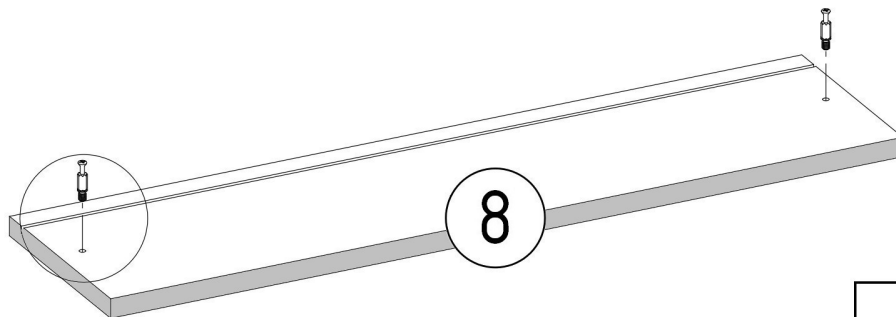
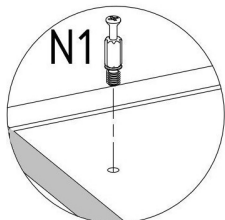
F3




N1



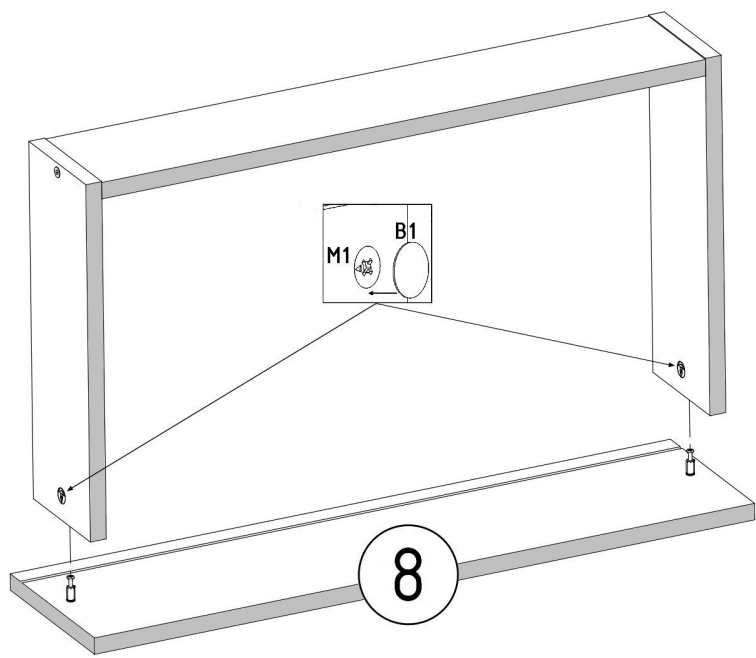
L=35mm x2



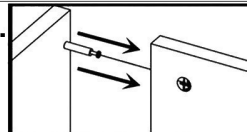
**B1**



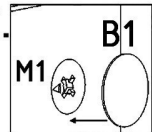
ø17/4-5mm **x2**




**1.**



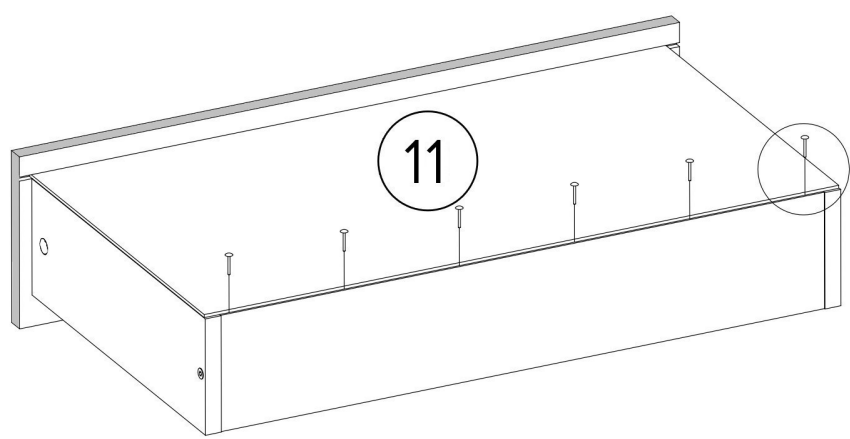
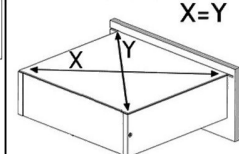
**2.**



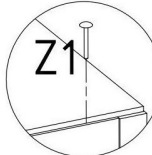
**Z1**



**x6**





**X=Y**




**Z1**

**S1**

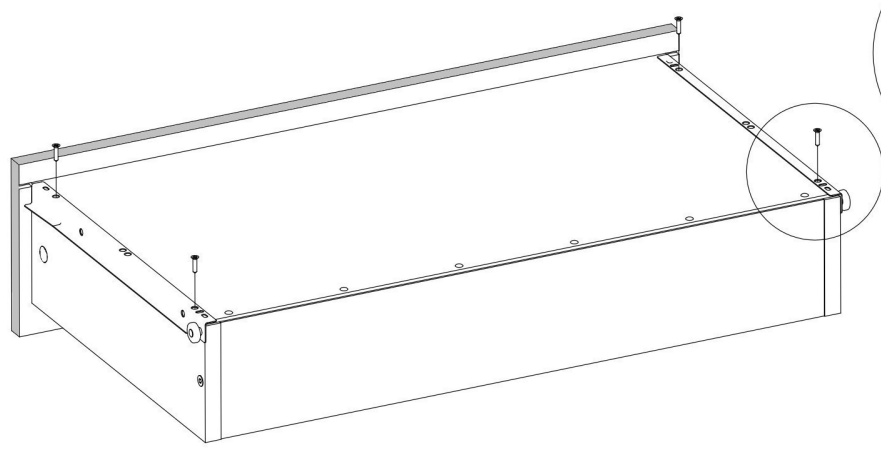
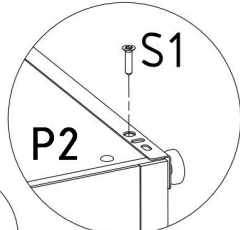


**3,5x16mm x4**

**P2**



**L=300mm x2**

**S1**

**P2**

